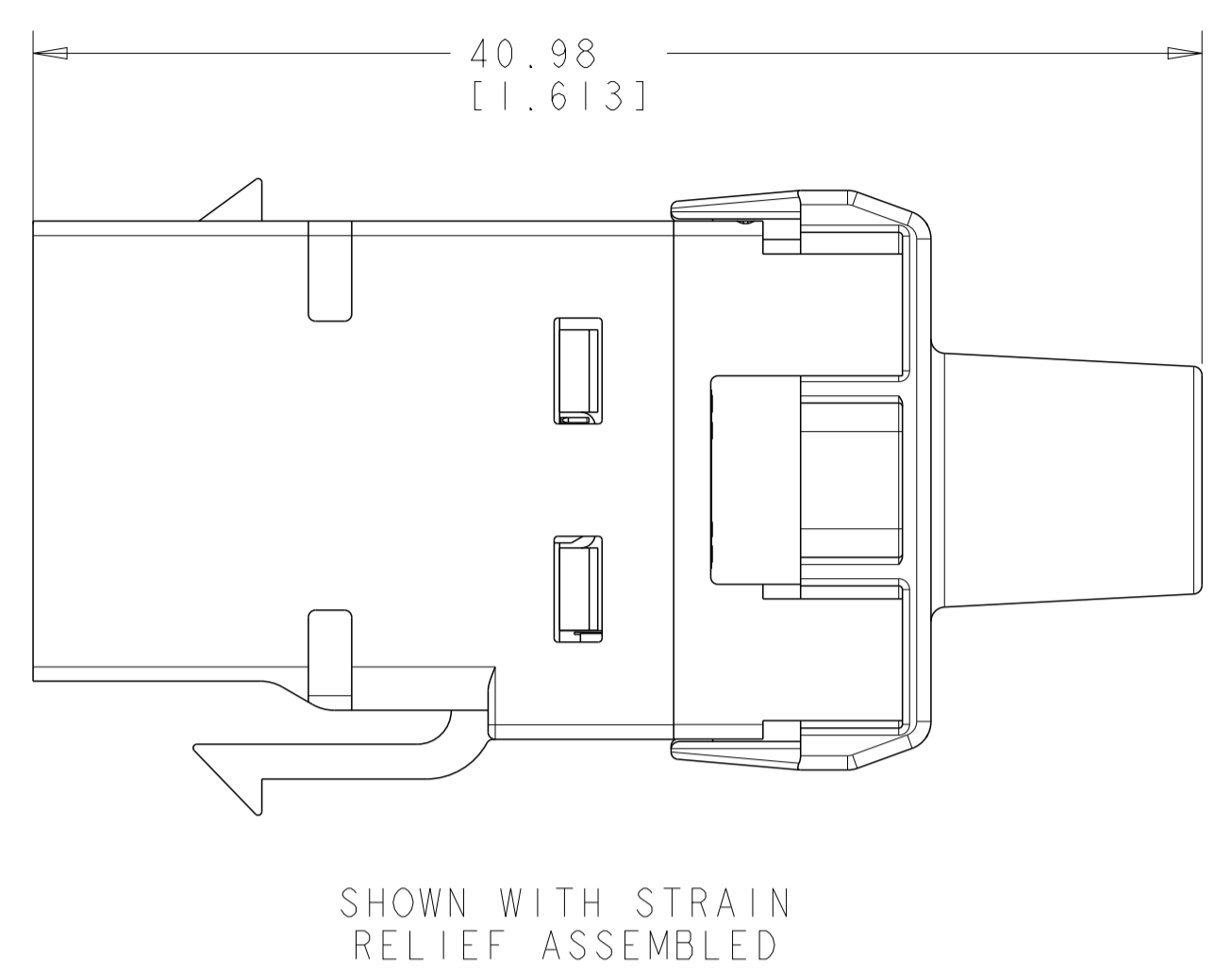
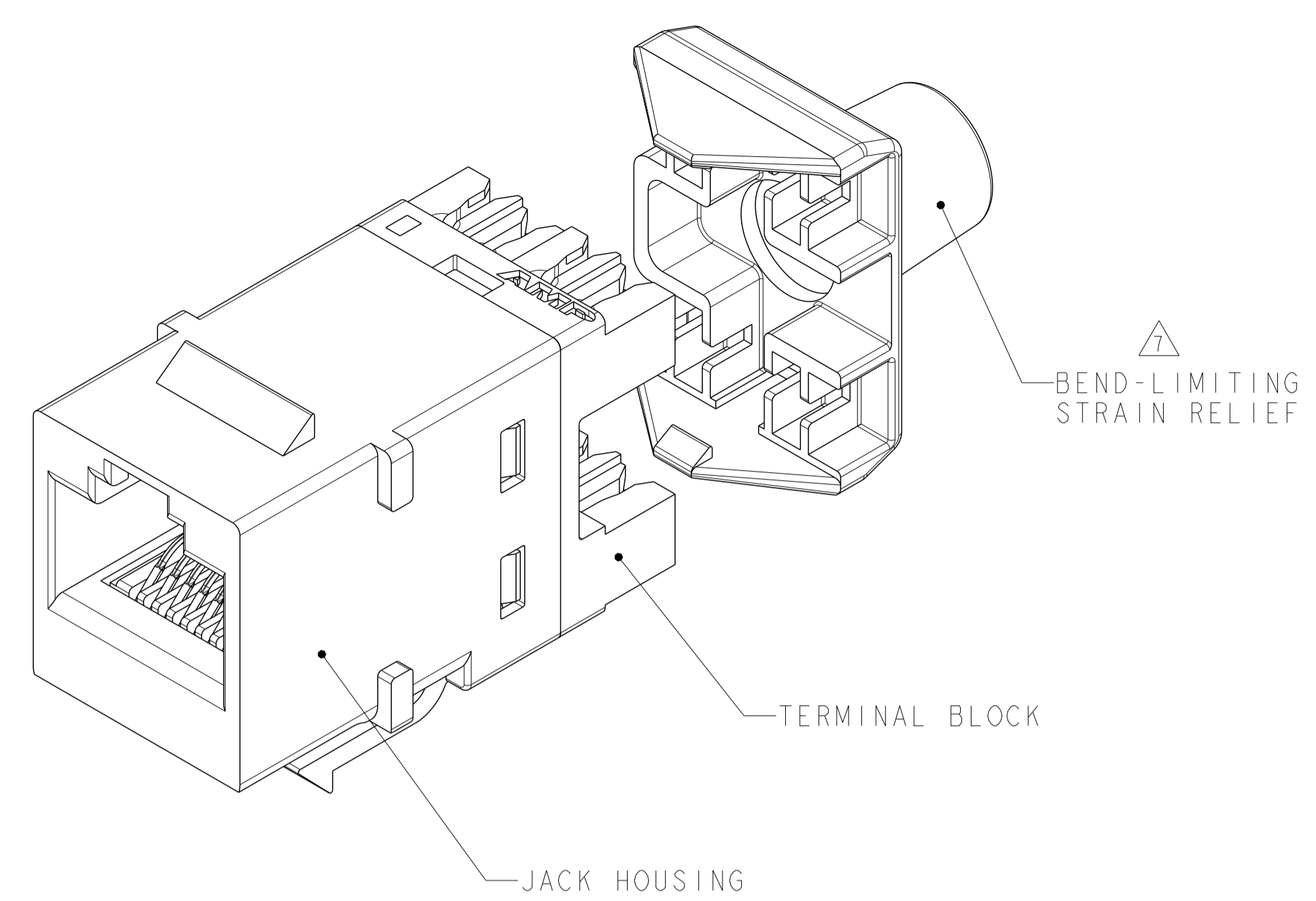
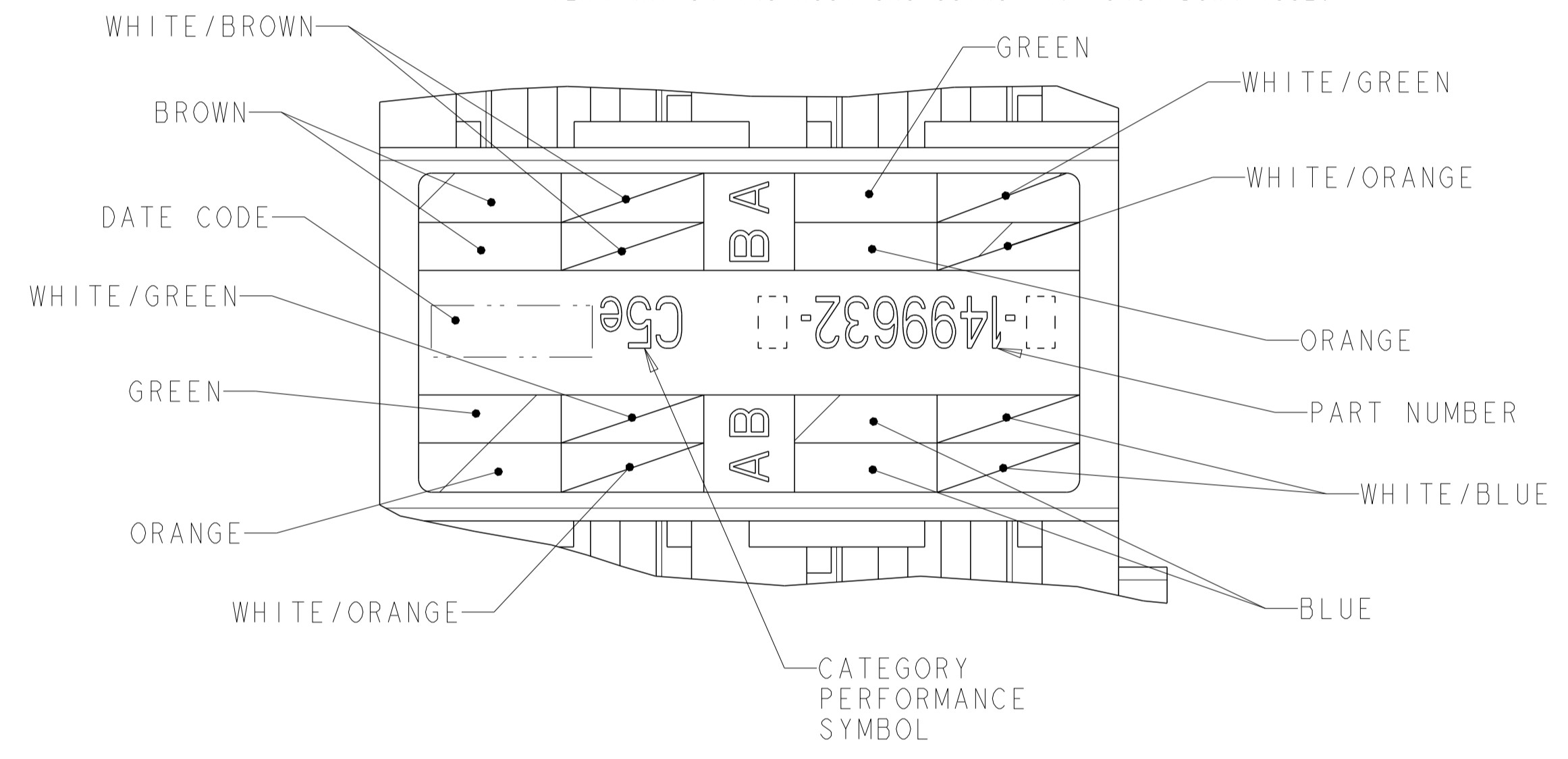
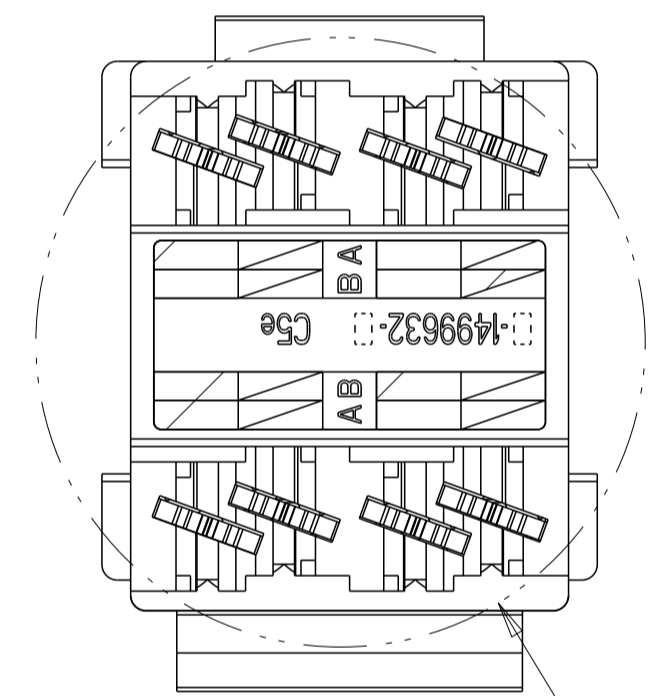
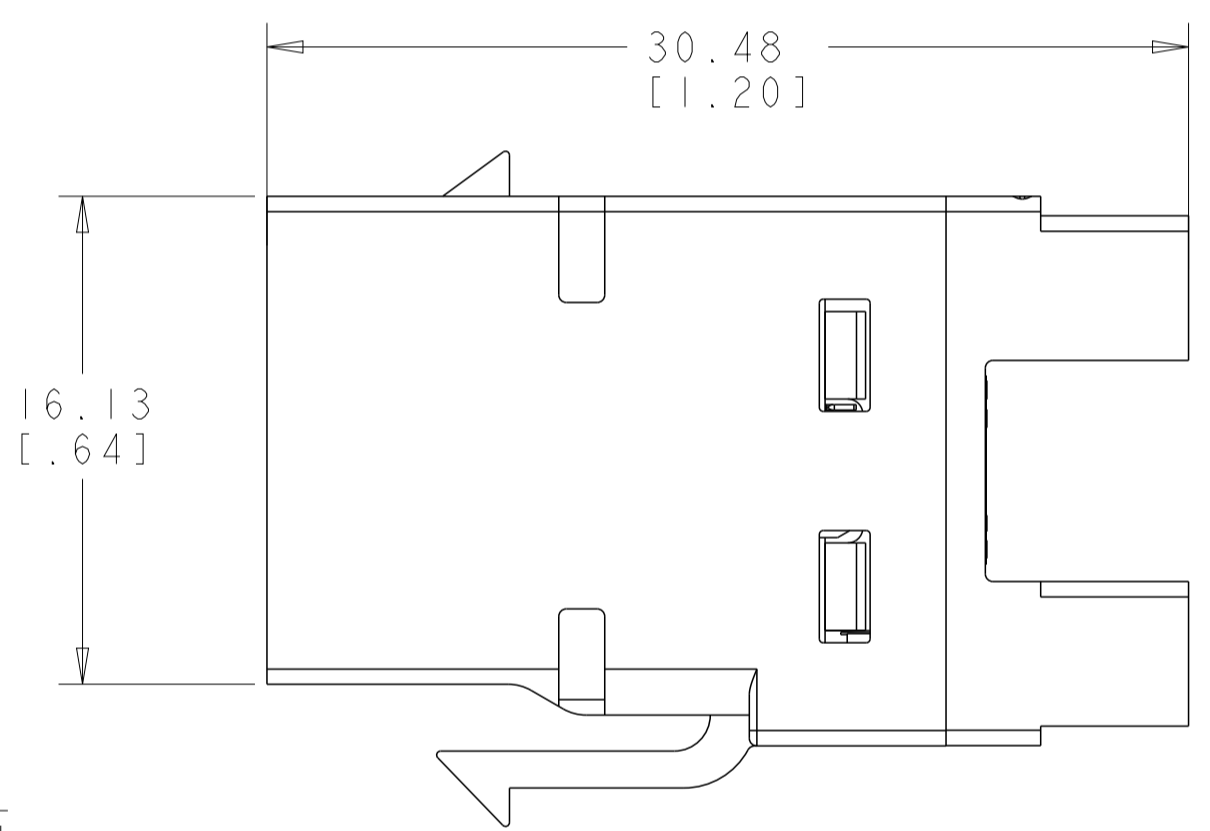
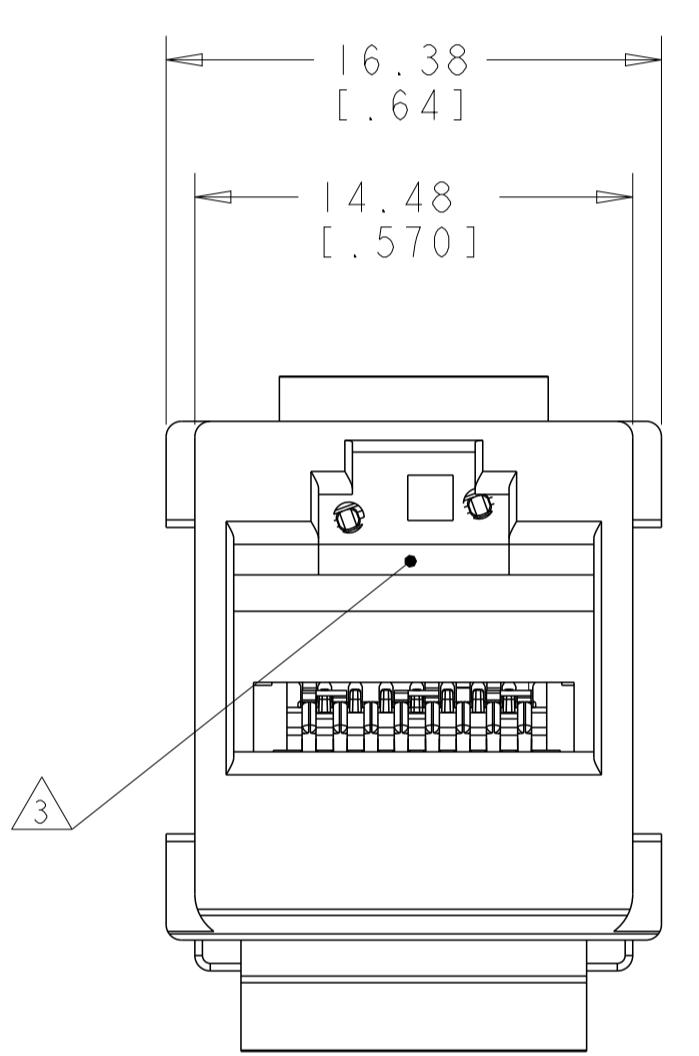


LOC		DIST		REVISIONS			
P	LTH	DESCRIPTION	DATE	OWN	APVD		
E		REV ECO-10-008894	28APR2010	LH	SA		
F		REV ECO-11-008739	27APR2011	LH	SA		
F1		REV: ECO-15-000709	20JAN2015	GG	LS		



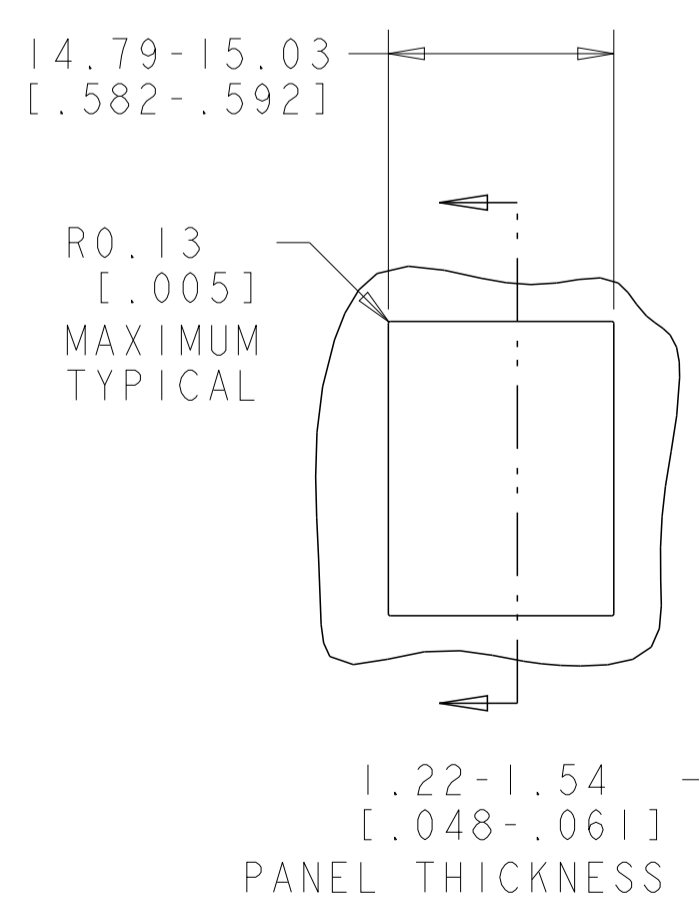
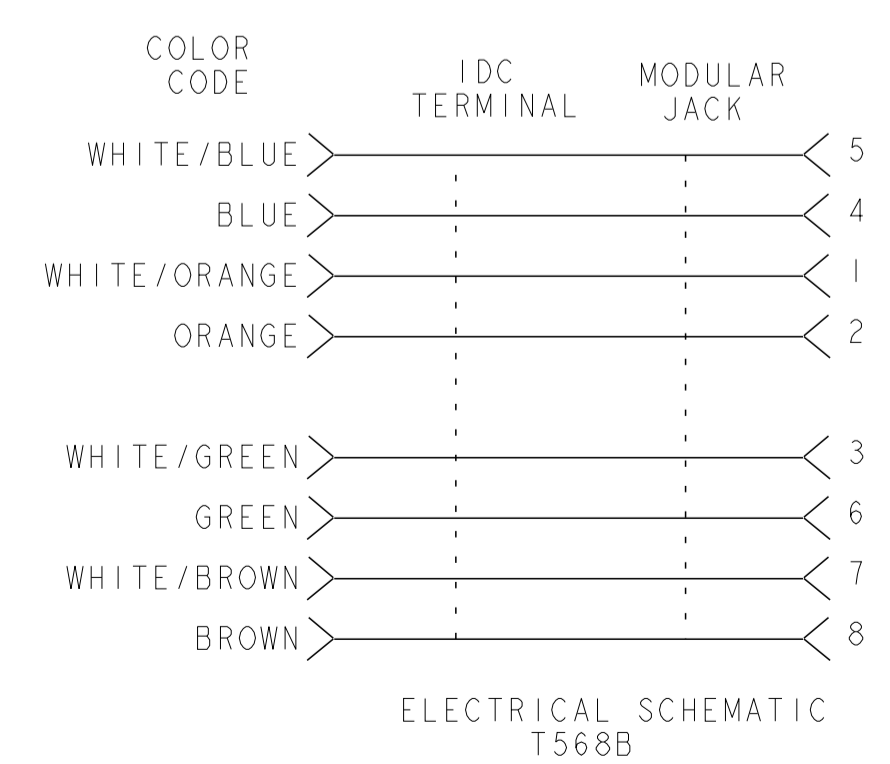
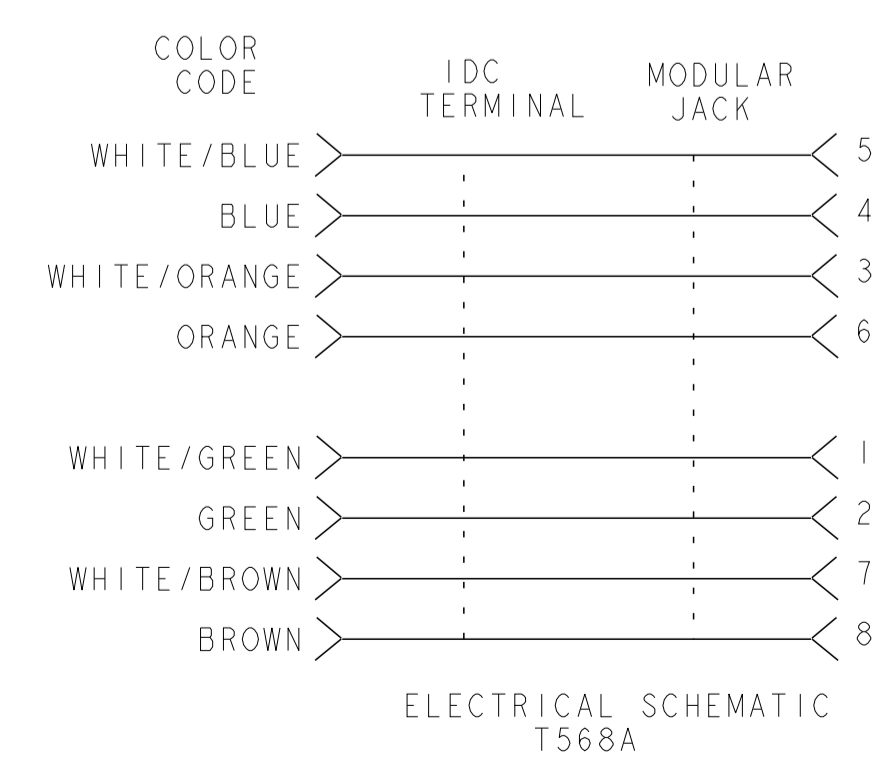
- 1. MATERIAL: JACK HOUSING - POLYCARBONATE, 94V-0 RATED. 110 BLOCK AND STRAIN RELIEF - POLYCARBONATE. ARRAY TRAY - PBT POLYESTER. JACK CONTACTS ARRAY - BERYLLIUM COPPER, PLATED WITH 1.27µm [.000050] MINIMUM THICK GOLD IN LOCALIZED AREA AND 3.81µm [.000150] MINIMUM THICK MATTE TIN IN BOARD INTERFACE AREA OVER 1.27µm [.000050] MINIMUM THICK NICKEL UNDERPLATE. IDC TERMINALS - PHOSPHOROUS BRONZE, PLATED WITH 3.81µm [.00015] MINIMUM THICK MATTE TIN OVER 1.27µm [.00005] MINIMUM THICK NICKEL UNDERPLATE.
- 2. KL 110 JACK WILL TERMINATE 22-24 AWG SOLID AND 24-26 AWG STRANDED CONDUCTORS, 1.27[.050] MAXIMUM INSULATION DIAMETER. JACK WILL ACCEPT CONDUCTORS UP TO 1.45 [.057] BUT REQUIRE THE USE OF A STRAIN RELIEF.
- 3. CAVITY CONFORMS TO FCC RULES AND REGULATIONS) PART 68 SUBPART F REQUIREMENTS.
- 4. MOUNTING PANEL THICKNESS 1.22 - 1.55 [.048 - .061].
- 5. THESE TWO SUGGESTED CUTOUT OPENINGS ARE USED IN TANDEM WITH DUAL FRONT AND BACK CUTOUTS.
- 6. ONE MODULAR JACK ASSEMBLY AND ONE STRAIN RELIEF PER POLYBAG.
- 7. USE OF STRAIN RELIEF IS OPTIONAL.
- 8. REFER TO 408-8858 FOR TERMINATION INSTRUCTIONS USING SL SERIES TOOL TERMINATION. REFER TO 408-8417 FOR TERMINATION INSTRUCTIONS USING 110 PUNCH DOWN TOOL.



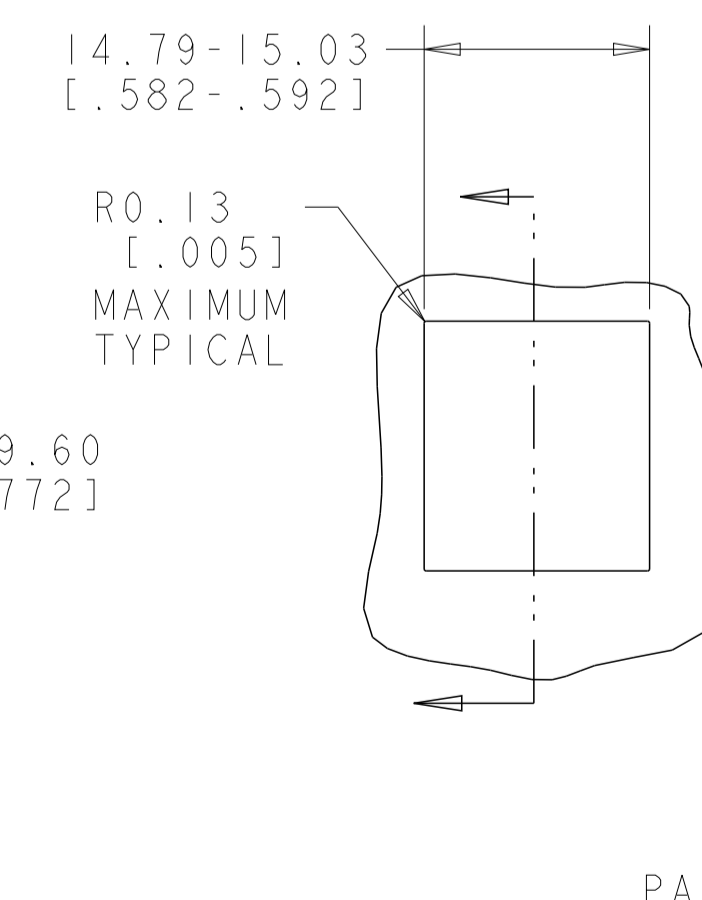
DETAIL A  
SCALE 10:1

SEE DETAIL A

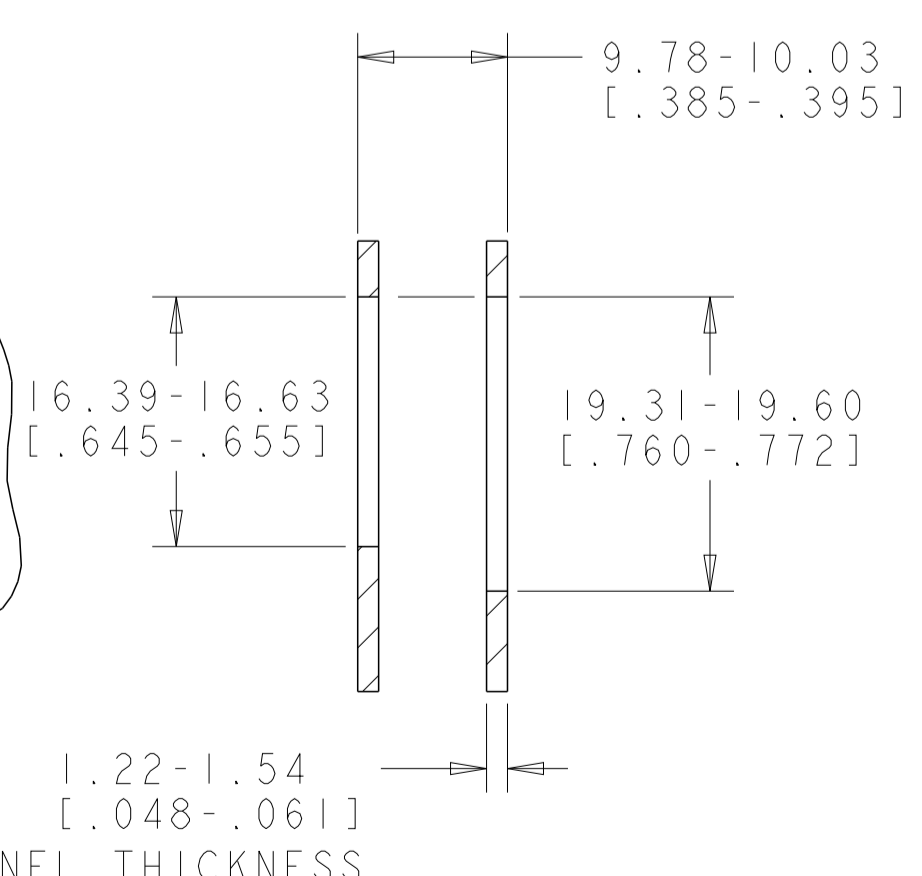
TERMINAL NUMBER 1



SINGLE PANEL CUTOUT



SUGGESTED FLUSH MOUNT PANEL APPLICATION CUTOUT



PACKAGE	HOUSING COLOR	PART NUMBER
	ALPINE WHITE	1-1499632-3
	ELECTRIC IVORY	1-1499632-1
	VIOLET	1-1499632-0
	GREEN	1499632-9
	YELLOW	1499632-8
	RED	1499632-7
	BLUE	1499632-6
	ORANGE	1499632-5
	NEMA GRAY	1499632-4
	WHITE	1499632-3
	BLACK	1499632-2
	LIGHT ALMOND	1499632-1

THIS DRAWING IS A CONTROLLED DOCUMENT.

APPROVED: [Signature]

DATE: 06 JUL 2005

PRODUCT SPEC: ASSY CAT 5E, UTP, KL SERIES JACK

SCALE: 4:1 SHEET 1 OF 1 REV 1

Customer Drawing